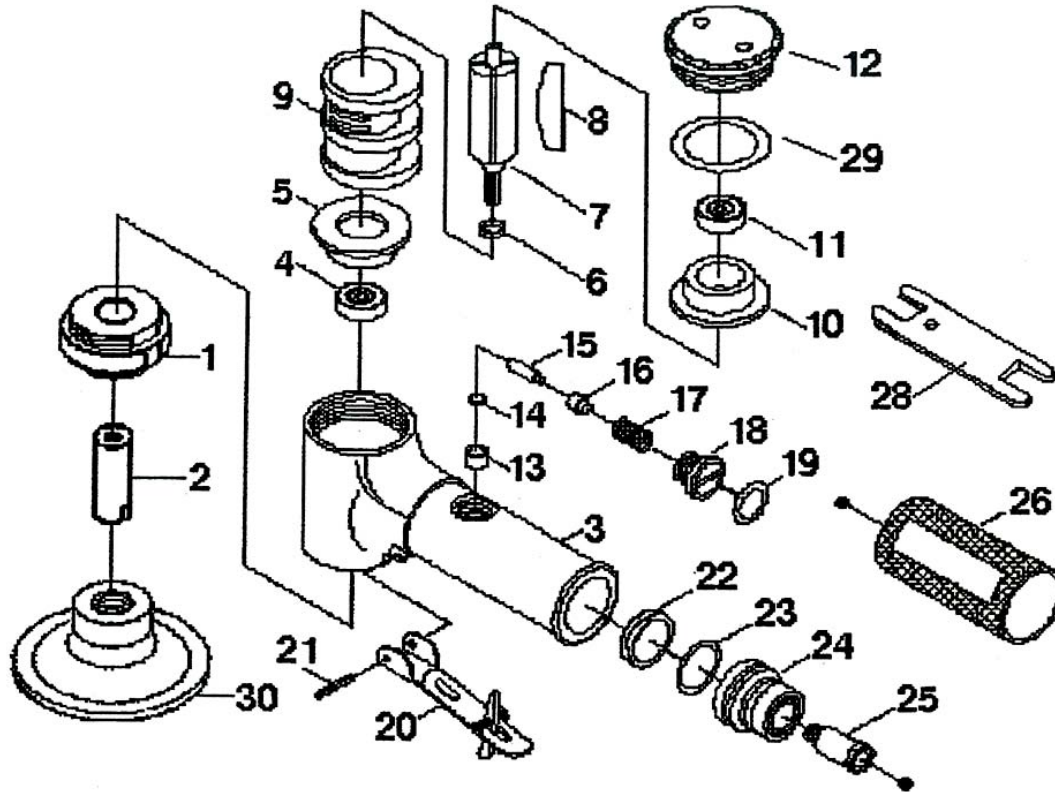


GP-0443-2 / 0443-3

2" / 3" ANGLE SANDER



PARTS DESCRIPTION

No.

1.	Housing Cap
2.	Spindle
3.	Housing
4.	Ball Bearing R6zz
5.	End Plate B
6.	Spacer
7.	Rotor
8.	Blade (5) **
9.	Cylinder
10.	End Plate A
11.	Ball Bearing 626zz
12.	Cap
13.	Plug
14.	O-Ring P4
15.	Valve Stem

PARTS DESCRIPTION

No.

16.	Valve Ball
17.	Spring
18.	Plug
19.	O-Ring P9
20.	Throttle Lever
21.	Spring Pin 2x23
22.	Silencer
23.	O-Ring 28.3x1.78
24.	Air Deflector
25.	Air Inlet
26.	Rubber Sleeve
28.	Wrench (14mm)
29.	O-Ring 26.64x2.62
30A.	2" Pad, TPR
30B.	3" Pad, TPR

** Consumption Parts